

# THE-REMOTE PRO INSTRUCTIONS

a universal wildlife feeder remote control

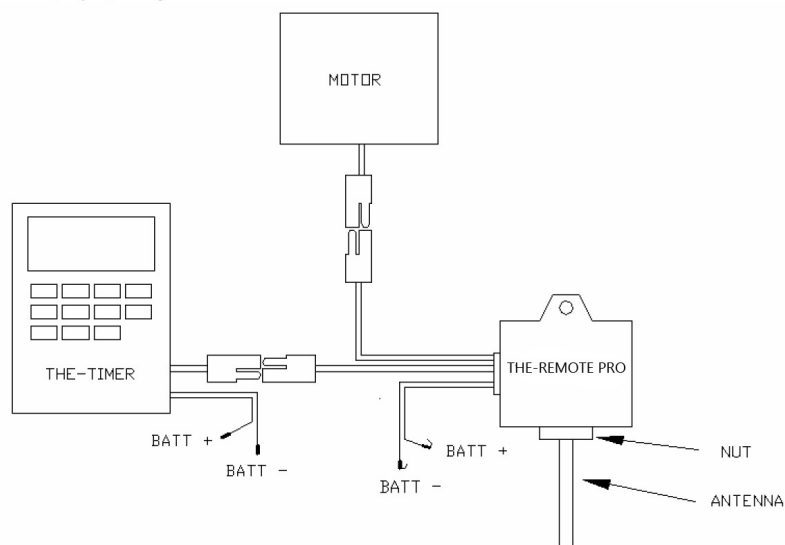
## RECEIVER INSTRUCTIONS

--Drill 7/16" hole into control box to mount receiver with antenna pointing down.  
Receiver is held in control box by the finger nut under the antenna

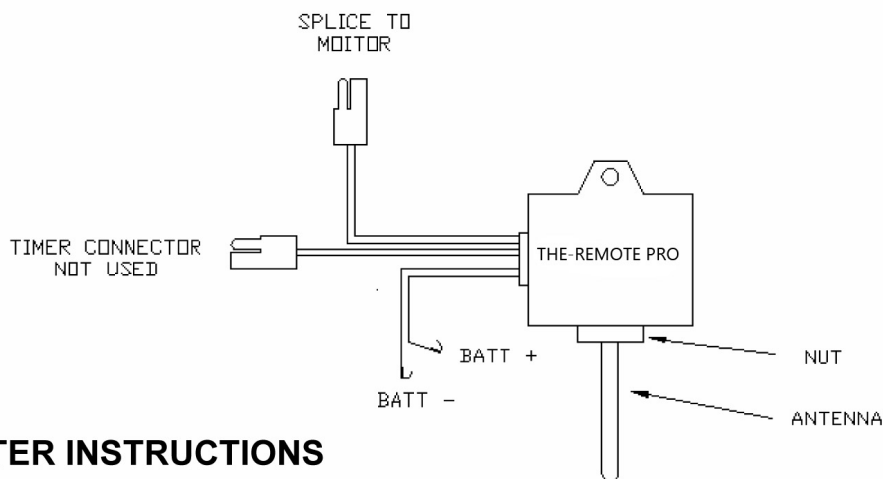
--Connect black/red wires to 6v or 12v power source

--THE-REMOTE is designed to plug directly into THE-TIMER but can operate any 6v or 12v motor

--For THE-TIMER, simply plug marked connectors into the motor and THE-TIMER



--For other brands of timers, splice in only the motor connector being sure the polarity is correct.



## TRANSMITTER INSTRUCTIONS

--Hold transmitter with antenna pointing upwards and depress orange button to activate remote.

## INSTALLATION AND TIPS

--Mount receiver with antenna pointing down for best reception.

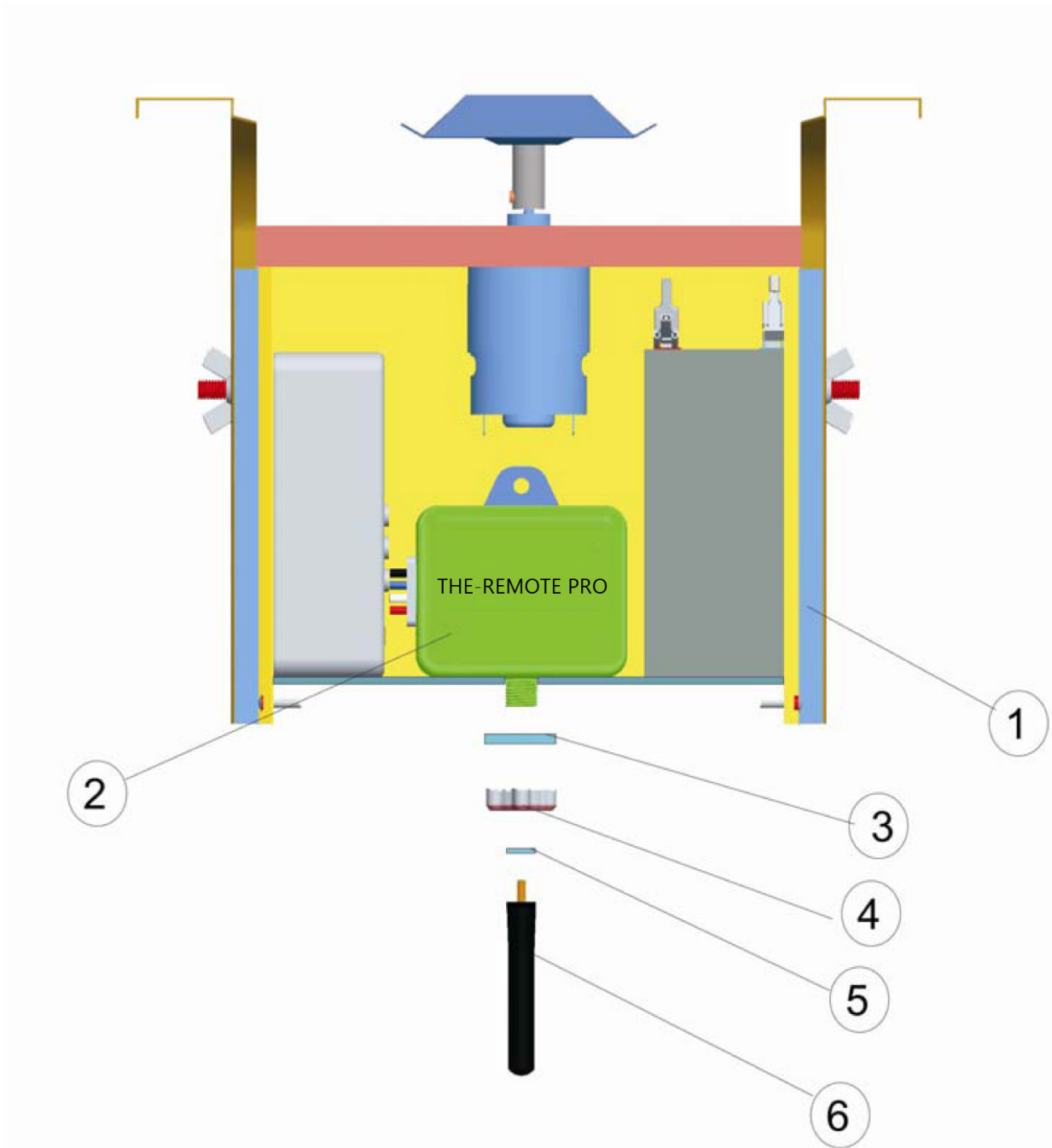
--Operate transmitter with antenna pointed up.

--With correct conditions THE-REMOTE PRO has a 175 + yard range

Call your local [dealer](#) for additional transmitters and replacement batteries.

# Installation Diagram for THE-REMOTE PRO

Universal Remote Control for Wildlife Feeders



1. Metal Case  
2. THE-REMOTE PRO

3. Nut Spacer  
4. Finger nut  
5. Antenna Spacer

6. Antenna